

TECH NOTE

Carbon Seat Posts

Please read these important safety instructions for the use of any carbon fiber seat post installed on Cannondale bicycles. Please also read "IMPORTANT SAFETY WARNINGS FOR ALL CARBON FIBER SEAT POSTS" on page 2 of these instructions.

- **WE RECOMMEND FOR HIGH-PERFORMANCE CARBON SEAT POSTS THAT YOU ALWAYS POSITION THE SEAT BINDER SLOT OPPOSITE THE SEAT TUBE SLOT.** Locating the binder slot opposite the seat tube slot reduces the chances of cracking from deformation or accidental overtightening.

SEAT POST INSTALLATION

- Before you insert a seat post into the bike, make sure there are not any sharp edges or burrs inside the seat tube. Anything that can scratch, score, gouge, or cut the seat post can cause serious damage leading to structural failure of seat post.

See Figure 1. To check the seat tube, carefully look inside the seat tube and along the seat tube slot for sharp edges or burrs. You can remove sharp edges or burrs by hand sanding with a very fine sandpaper (400 grit). The inside of the seat tube and edges of the slot should feel very smooth without jagged edges or nicks.

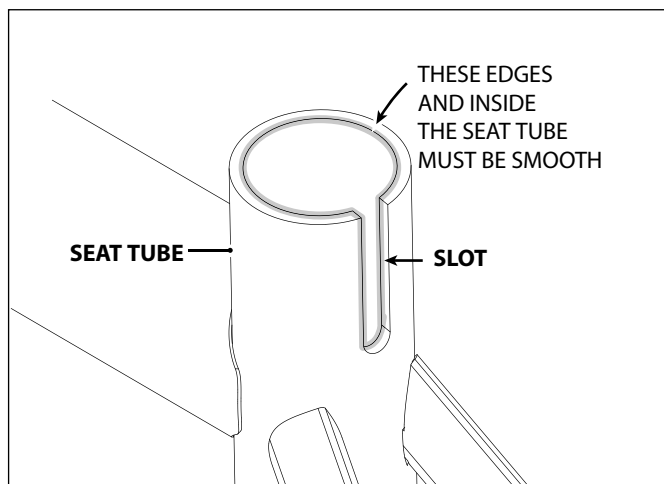


Figure 1

- When you install the seat post, always, insert the seat post in a straight up and down smooth motion. Never use a twisting or rotating action to install or remove the seat post increasing the chances of creating cuts or scratches on the seat post that could lead to seat post failure.
- Before installing the seat post, only lightly grease the inside surface of the binder and the binder bolt threads to promote even distribution of clamping forces.
- **DO NOT APPLY GREASE TO THE SEAT POST. SEE THE REVERSE SIDE OF THIS TECH NOTE FOR INFORMATION CARBON SEAT POST GEL.**

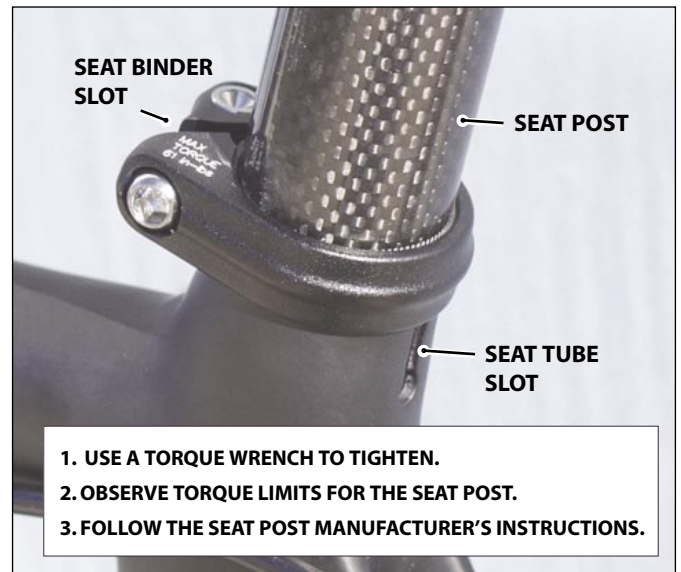


Figure 2

SEAT POST MAINTENANCE

Frequent seat post checks are necessary to identify the problems that can lead to an accident. Regularly or in conjunction with your regular bike maintenance routine, do the following:

1. Remove the seat binder from the frame seat post. Clean the binder, the seat post, and inside the seat tube. Use a clean dry towel. Do not use solvents.
2. Carefully inspect the seat post for damage (e.g., cracks, scratches, scrapes, gouges, splintering). If the seat post is damaged in any way, (cracks, scratches, scrapes, gouges, splintering), do not ride it; discard it. Replace it with a new one.
3. Always properly torque saddle to seat post clamp bolts. Too much torque may fail the bolts. Too little torque will result in movement which leads to fatigue and bolt failure.

CANNONDALE USA

Cannondale Bicycle Corporation
172 Friendship Road
Bedford, Pennsylvania 15522
(Voice): 1-800-BIKEUSA
(Fax): 814-623-6173
custserv@cannondale.com
URL: <http://www.cannondale.com>

CANNONDALE AUSTRALIA

Unit 6, 4 Prosperity Parade
Warriewood N.S.W 2102
Australia
Phone: (02) 9979 5851
Fax: (02) 9979 5688
cannondaleaustralia@cannondale.com

CANNONDALE JAPAN

12-5 Harayamadai
5-cho Sakai City
Osaka, Japan 590-0132
(Voice): 011.81.722.99.9399
(Fax): 0722-93-6166
cjcustserv@cannondale.com

CANNONDALE EUROPE

mail: Postbus 5100
visits: Hanzepoort 27
7570 GC Oldenzaal
Netherlands
(Voice): + 41 61.4879380
(Fax): 31-5415-14240
servicedeskeurope@cannondale.com

CARBON SEAT POST GEL KIT

Cannondale kit KF115/ KIT, GEL DYNAMIC CARBON SEATPOST gel will increase surface friction of carbon seat posts and reducing seat post slippage or twisting in the seat tube (carbon or alloy). The gel also inhibits corrosion. The kit includes enough gel for several applications. Only a thin coating of the gel is needed.

To apply the gel:

Thoroughly clean the seat post and inside the seat tube to remove any grease or dirt. Wipe with a dry shop towel. Do not use any solvents.

Then, apply a very small 2" bead of the gel on the seat post and spread it evenly over the section of the seat post which inserts into the seat tube.

Install the seat post and tighten the binder. Be sure to follow the torquing recommendations for your bike, seat post or binder.

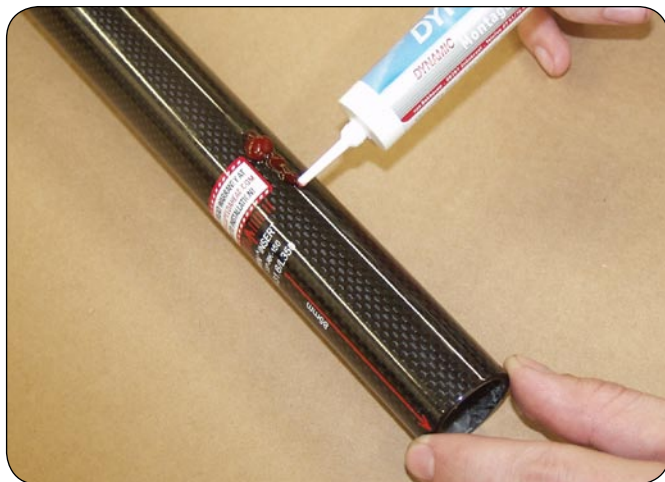


Figure 1

To obtain the gel, order Cannondale kit KF115/.

IMPORTANT SAFETY WARNINGS FOR ALL CARBON FIBER SEAT POSTS

WARNING

FOLLOW ALL MANUFACTURER INSTRUCTIONS If you do not have the instructions for your seat post, obtain and read them before using the seat post.

DO NOT SHORTEN OR CUT A SEAT POST.

A SEAT POST MUST BE INSERTED TO ITS "MINIMUM INSERT" LINE INDICATED ON THE SEAT POST.

INSPECT AFTER ANY CRASH, FALL, OR IMPACT - Remove and inspect the seat post for damage (eg., cracks, scratches, scrapes, gouges, splintering). If you find damage, replace it with a new one. NEVER RIDE ON A DAMAGED SEAT POST.

YOU MUST USE A TORQUE WRENCH - Failure to properly torque the seat post (binder clamp or saddle adjustment) can result in serious cracking damage to the seat post coming loose while riding causing you to lose control. Make sure the seat post is installed correctly and all fasteners tightened to the specified torque.

Frequent seat post checks are necessary to identify the problems that can lead to an accident.

NEVER USE LIGHT OR SPRAY OILS OR GREASE TO LUBRICATE A SEAT POST OR INSIDE THE SEAT TUBE.

NEVER USE SOLVENTS, OR CHEMICAL SPRAY CLEANERS TO CLEAN THE INSIDE OF THE SEAT TUBE. Wipe out the seat tube with a clean dry towel only. Light oils (WD40 and oils typically used in honing) and solvents, and including chemical cleaners can attack and weaken composite bonds holding the frame together leading to frame failure.

NEVER FORCE A SEAT POST INTO THE SEAT TUBE. The seat post should always be a slide fit. If the seat post is difficult to install, there is a serious problem.

YOU CAN BE SEVERELY INJURED, PARALYZED OR KILLED IF YOU IGNORE THESE WARNINGS.